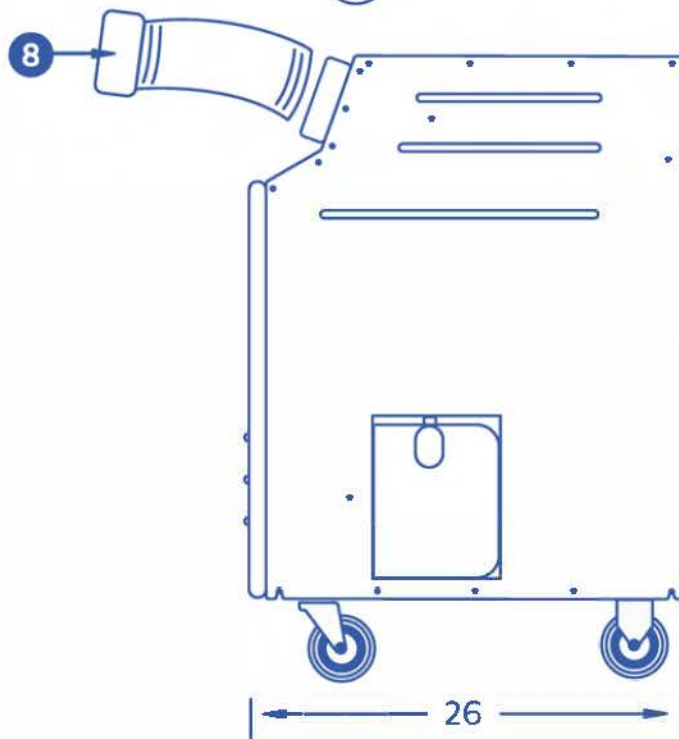
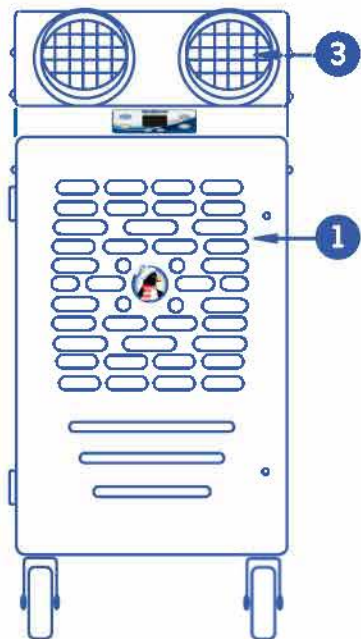
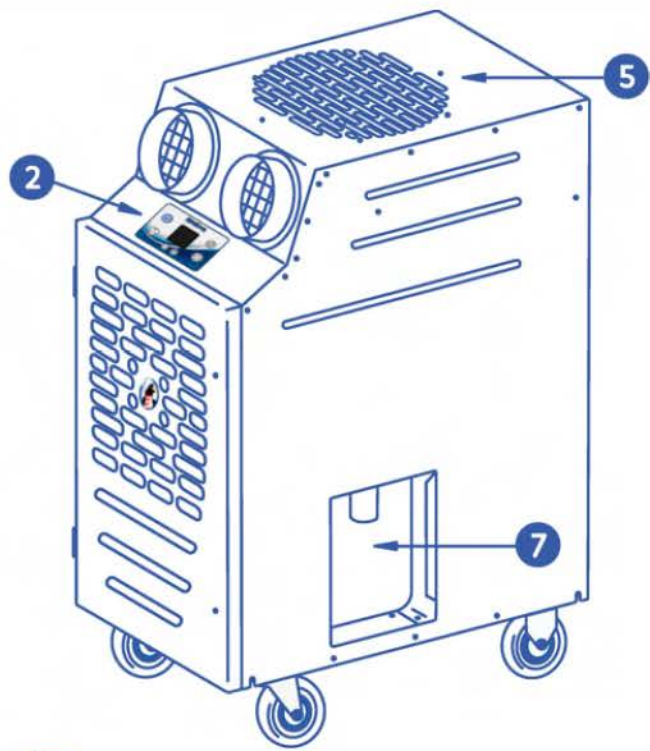
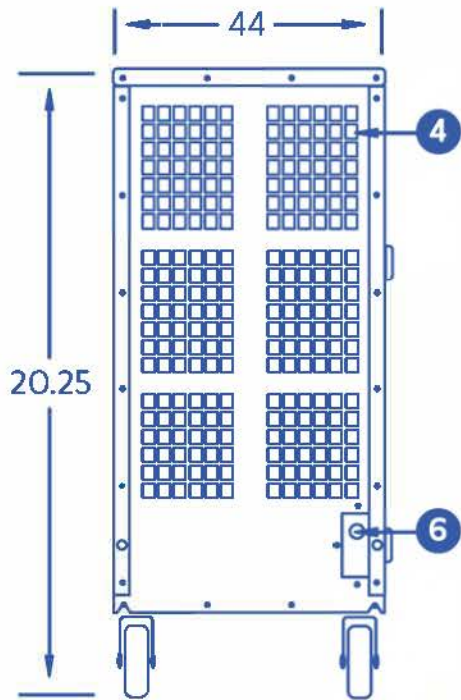


KPAC-2



KPAC 2421-2

- | | |
|------------------------|---|
| 1) Cold Air Return | 5) Condensate Air Outlet |
| 2) Control Pad | 6) Power Cord |
| 3) Cold Air Supply | 7) Condensate Tank |
| 4) Condenser Air Inlet | 8) Air Chutes (Attach To Cold Air Supply) |



ETL LISTED CONFORMS TO ANSI/UL1995
CERTIFIED TO CAN/CSA 22.2 NO 235

portableairgroup.com



COOLING CAPACITY

BTU/hr @95 F at 60%RH	22,900 / 2-Ton
-----------------------	----------------

COMPRESSOR DATA

Compressor Type	Hermetic Rotary
Operating Temperatures	40-105°F 50% RH
Non-CFC Refrigerant	410A

FAN DATA EVAPORATOR

Fan Type (Centrifugal)	Direct Drive
Air Flow (CFM)	810 / Single Speed
Supply Air Control	Adjustable Vent
Supply Air Chute	2 - 6" dia x 18' (25' max length)

CONDENSER WATER FLOW

Fan Type (Centrifugal)	Direct Drive
Air Flow (CFM)	1100
Condenser Duct Specs (optional)	1 - 14" Dia. x 8' length
Condenser Duct Max Length	25'

ELECTRICAL DATA

Power Supply	208 / 230 V / Single Phase
Current Consumption	10.6 / 9.6 Amps
Power Consumption	1.99 kW
Maximum Circuit Breaker	20 Amps
Recommended Breaker Size	20
Minimum Circuit Ampacity	14.3 Amps
Min/Max Voltage	195 - 225
Power Cord Gauge / Length in Feet	12 AWG / 8'
Plug Configuration	NEMA 6 - 20

DIMENSIONAL DATA

Width x Length x Height	20.325" x 26" x 44"
Weight	206 lbs.
Shipping Weight	266 lbs.
Ceiling Kit	24 lbs.
Shipping Weight W/ Ceiling Kit	290 lbs.

SAFETY DEVICE DATA

Compressor Overload	Internal
Fan Motor Overload	Automatic Internal
Evaporator Freeze Guard	Freeze Stat
High Pressure Switch	Manual
Low Pressure Switch	Auto
Compressor Short Cycle	Yes
Automatic Restart	Yes
Thermostat Type	Digital Microprocessor
Condensate Pump Overflow	Optional
Condensate Tank Overflow	Yes

