

COOL-SPACE® 300

Take the fight to workplace heat with Cool-Space 300. Engineered with larger cooling media, fan diameter, and reservoir size than our base models, it delivers comfort to workers and guests over a wide area. Thanks to its variable-speed control and virtually silent operation, it's perfect for spaces where rapidly changing conditions require a quick, distraction-free solution.



KEY FEATURES

- ▶ Quickly cool indoor and outdoor spaces by up to 33 °F (18 °C)
- ▶ Great for workshops, garages, and studios
- ▶ Large swivel casters for ease of mobility
- ▶ 8-inch (20-centimeter) resin-treated cooling media
- ▶ 18-inch (46-centimeter) fan diameter
- ▶ 16-gallon (62-liter) reservoir lasts up to 4 hours without hose connection

COVERAGE AREA

1,200 SQUARE FEET
(110 SQUARE METERS)

AIRFLOW

UP TO 2,800 CFM

CONTROL

VARIABLE SPEED

VOLTAGE

110 VAC
OR
230 VAC



BIG ASS FANS®

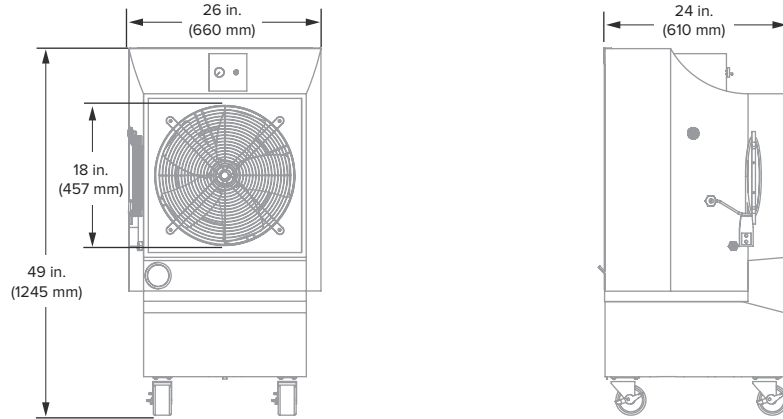
**EXCEPTIONALLY
ENGINEERED**

DISCOVER MORE ABOUT COOL-SPACE

Learn more at bigassfans.com/evaporative-coolers
or call **877.BIG.FANS** for a free custom quote.

COOL-SPACE® 300

DELIVER COOLER CONDITIONS AT A MOMENT'S NOTICE



Technical Specifications										
Model	Ordering Information	Input power and required breaker	Amperage ¹	Weight	Water Capacity	Inlet Water Supply Pressure	Environment ²	Airflow and Coverage	Sound Level ³	Operating Temperature
Cool-Space 300	F-EV1-1801 F-EV1-1802	120 VAC, 60 Hz, 1Φ, 15 A 220/230 VAC, 50/60 Hz, 1Φ, 10 A	4.1 A 1.8 A	100 lb (45.4 kg)	16 gal (60.6 L)	120 PSI maximum	Well-ventilated indoor or outdoor space	700–2,800 cfm 1,200 sq ft	63 dBA	0 to 104 °F (-18 to 40 °C)

Construction					
Housing	Motor	Power Supply	Water Supply	Cooling Media	Maintenance
UV-resistant roto-molded polyethylene housing Four locking swivel casters	Variable speed high-efficiency, totally enclosed 0.5 hp (0.37 kW)	10 ft (3 m) ground fault protected power cord plugs into standard electrical outlet Cord wrap for easy storage	Accepts standard garden hose Built-in reservoir for extended use Water level regulated by float valve Low-water shutoff for pump longevity	Made from 8 in. (203 mm) thick cross-corrugated, angle-fluted formulated cellulose Treated with thermosetting resin for strength and prevention of algae	Accessible reservoir cap for convenient water treatment Drain plug and flush valve for water removal



¹ Maximum amperage includes both the fan and pump maximum amperage ratings.
² Not suitable for salt air environments.
³ Fans are sound tested in a laboratory environment. Actual results in field conditions may vary due to sound reflecting surfaces and environmental conditions.

Lead times may vary.
See full warranty for coverage information.



USA
BIGASSFANS.COM
877-244-3267

CANADA
BIGASSFANS.COM
844-924-4277

AUSTRALIA
BIGASSFANS.COM/AU
1300 244 277

SINGAPORE
BIGASSFANS.COM/SG
65 6709 8500

MALAYSIA
BIGASSFANS.COM/SG
603 5565 0888