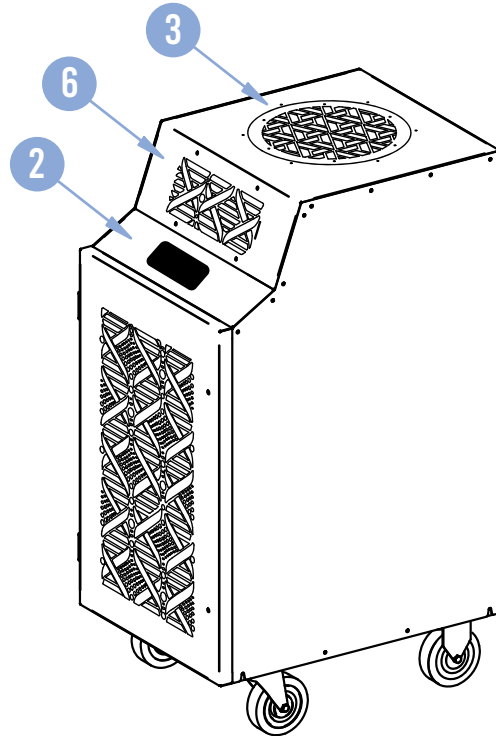
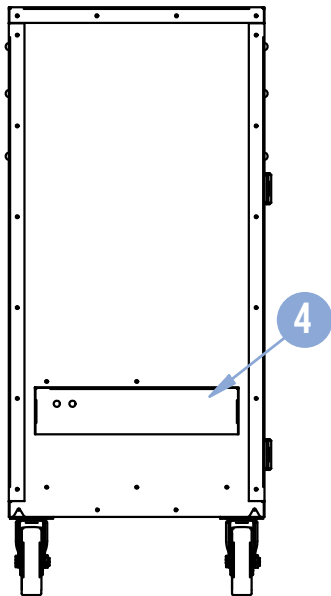
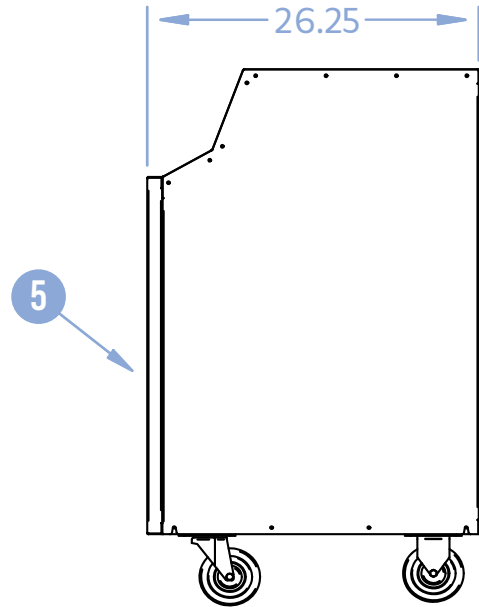
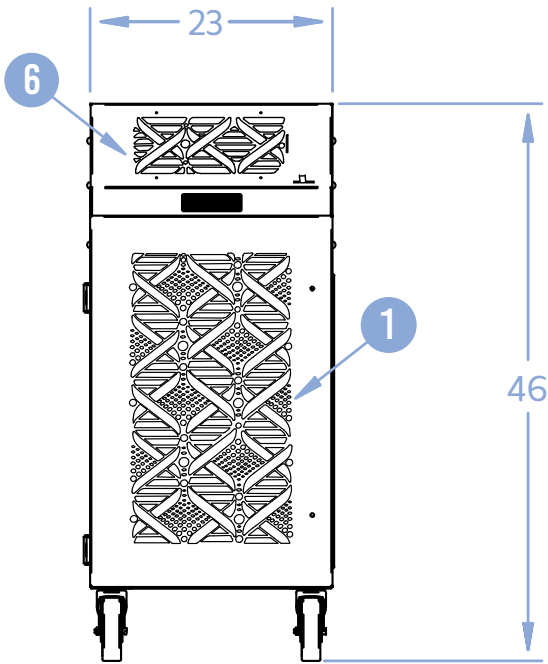




SPECIFICATIONS

KBP1800

DESCRIPTION	
	1800 CFM Combination Air Scrubber / Negative Air Machine
AIR PURIFICATION	
ULPA/HEPA Filter	99.97% @ > .3 Microns
UVC Light Wave Length	UVC 30 Watts / Max 85 Watts x2
FAN DATA	
Fan Type (Centrifugal)	Direct Drive
Air Flow (CFM) at zero external static	1800/1675/1550 - 3 Speed / Quad Directional
Air Flow (CFM) with one opening closed	1600/1375/1250 - 3 Speed / Quad Directional
Top Discharge Stainless Flange	12 In.
Optional CK-12S-SS Ceiling Kit	Optional 12" Dia. Ceiling Kit
ELECTRICAL DATA	
Power Supply (Volts)	115 V / Single Phase
Current Consumption (Amps)	9.95
Power Consumption (kW)	0.83
Maximum Circuit Breaker (Amps)	20
Recommended Breaker Size	15
Minimum Circuit Ampacity (Amps)	12.67
Min/Max Voltage	105 - 125
Power Cord Gauge / Length in Feet	14 AWG / 6'
Plug Configuration	NEMA 5 - 15
DIMENSIONAL DATA	
Width x Length x Height (inches)	23" x 26.25" x 46"
Weight (lbs)	135
Shipping Weight (lbs)	170
Ceiling Kit - CK - 12SS (lbs)	12
Total Shipping Weight w/ Ceiling Kit (lbs)	192
SAFETY DEVICE DATA	
Fan Motor Overload	Automatic Internal
Automatic Restart	Yes



KBP1800

LEGEND

- | | |
|---------------------------------|----------------------------|
| 1. Room Air Return | 4. Cord Storage |
| 2. Control Panel (Touch Pad) | 5. Filter Access Door |
| 3. Filtered Negative Air Supply | 6. Cleaned Room Air Supply |



ETL LISTED CONFORMS TO ANSI/UL1995
CERTIFIED TO CAN/CSA 22.2 NO 235