

YELLOW JACKET[®]

Finally, a directional fan engineered to stand up to industrial use and abuse. Yellow Jacket features a highly efficient, IPX5-rated motor with variable-speed control and an indestructible frame. Mount or wheel it into your grittiest spaces to deliver airflow that cools and refreshes your people, then hose it off and put it right back to work.



KEY FEATURES

- ▶ **Heavy-gauge steel frame** for durability in industrial applications
- ▶ **Vibration dampening** with high-density polyethylene housing
- ▶ **Three durable fan blades** with progressive-pitch geometry
- ▶ **10 speed settings** with powerful and efficient 1/2 HP motor
- ▶ **BMS integration and fan grouping** with optional BAFCon controller
- ▶ **360° rotation** with lockable positioning and available oscillator

DIAMETER

30 INCHES
(76 CM)

MOUNTING

**PORTABLE PEDESTAL,
WALL/COLUMN, SWIVEL ARM,
OVERHEAD BEAMS, AND BAR JOISTS**

VOLTAGE

**110-125 OR 200-240
SINGLE PHASE VAC**

WARRANTY

**UP TO
5 YEARS**

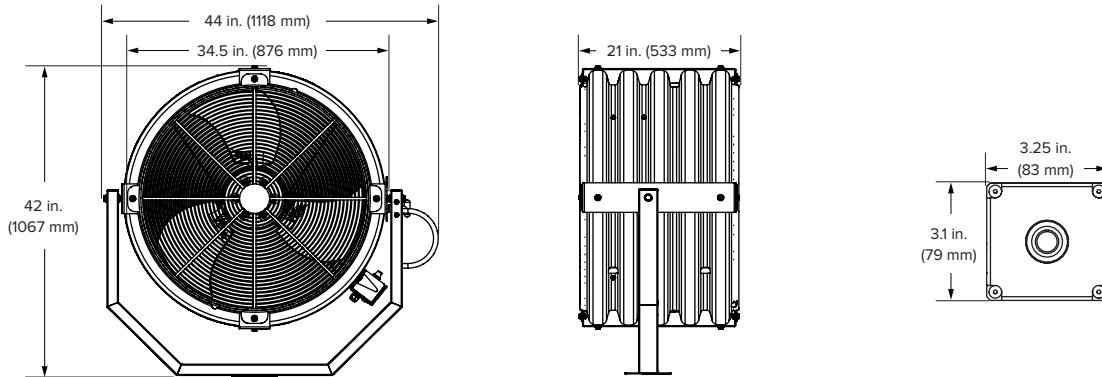


DISCOVER MORE ABOUT YELLOW JACKET

Learn more at bigassfans.com/yellow-jacket
or call **877.BIG.FANS** for a free custom quote.

YELLOW JACKET

SMASHINGLY DURABLE®



Technical Specifications

Input power and required breaker	Current	Max speed	Power	Temperature range	Sound level at max speed ¹	Weight ²	Motor	IP Rating
100–125 VAC, 50/60 Hz, 1 Φ, 20 A	7.6–9.8 A	1,317 RPM	20/600 W	-40° F to 122° F (-40° C to 50° C)	80.2 dBA	105 lb (47.6 kg)	0.5 hp (0.37 kW)	IPX5
200–240 VAC, 50/60 Hz, 1 Φ, 15 A	5.0–5.6 A	1,308 RPM						

Construction Features

Cage and Frame	Blades	Power Supply	Controller	Certifications	Colors
Heavy-gauge steel frame with position locking mechanism provides 360 degrees of rotation OSHA-compliant 1/8 inch (3 mm) steel spiral guards High density polyethylene housing with vibration dampening	Three-dimensional progressive pitch blades Made from high-performance polyamide nylon	10 ft (3 m) cord Fits standard power outlets	Remotely mounted or onboard On/Off Variable speed	CSA Standard 22.2 No. 113 	Standard Yellow Custom colors available

Mounting and Accessories

Portable Base	Wall/Column	Overhead	Accessories
Steel frame and portable base 18 or 36 inch (457 or 914 mm) pedestal	Steel bracket Grade 8 hardware	Optional mounting kits allow fan to be mounted to a beam, bar joists, or ceiling	Swivel Kit Oscillator Kit



¹ Fans are sound tested at maximum speed in a laboratory environment. Actual results in field conditions may vary due to sound reflecting surfaces and environmental conditions.
² Weight only includes fan and yoke.

Lead times may vary.
 Warranties may vary by country. See full warranty for coverage information.



USA
 BIGASSFANS.COM
 877-244-3267

CANADA
 BIGASSFANS.COM
 844-924-4277

AUSTRALIA
 BIGASSFANS.COM/AU
 1300 244 277

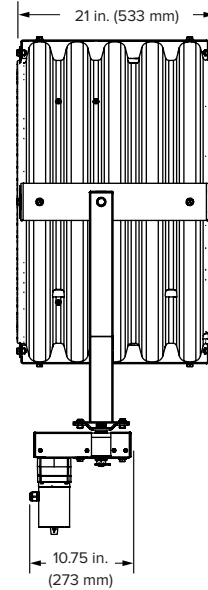
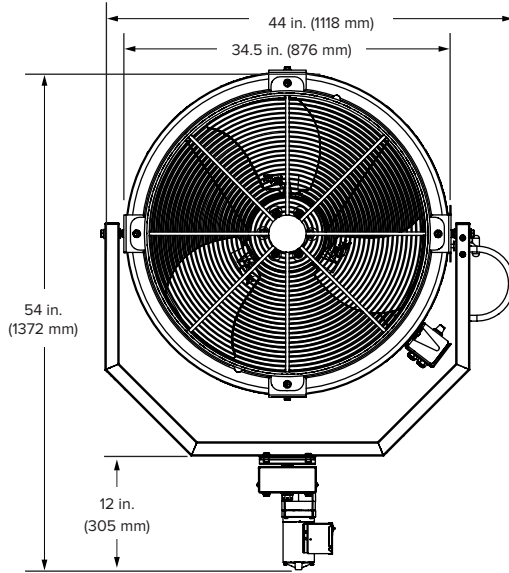
SINGAPORE
 BIGASSFANS.COM/SG
 65 6709 8500

MALAYSIA
 BIGASSFANS.COM/SG
 603 5565 0888

YELLOW JACKET

OSCILLATOR

SMASHINGLY DURABLE®

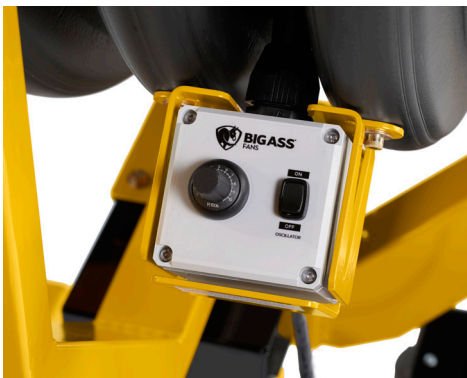


Fan Technical Specifications

Input power and breaker	Current	Max speed ¹	Sound level at max speed ²	Weight	Motor
100–125 VAC, 1 Φ, 60 Hz, 20 A	7.6–9.8 A	1317 RPM	80.2 dBA	105 lb (47.6 kg)	0.5 hp (0.37 kW)

Oscillator Technical Specifications¹

Input Power	Current	Motor	Oscillations per minute	Angle Adjustment
100–125 VAC, 1 Φ	0.33 A	0.05 hp (0.037 kW)	Up to 2.3 OPM	45, 60, or 90 degrees



¹ Speed shown is nominal. Performance is based on actual speed of test.

² Measured 5 ft (1.5 m) from fan. Fans are sound tested at maximum speed in a laboratory environment. Actual results in field conditions may vary due to sound reflecting surfaces and environmental conditions.

Lead times may vary. See full warranty for coverage information.



USA
BIGASSFANS.COM
877-244-3267

CANADA
BIGASSFANS.COM
844-924-4277

AUSTRALIA
BIGASSFANS.COM/AU
1300 244 277

SINGAPORE
BIGASSFANS.COM/SG
65 6709 8500

MALAYSIA
BIGASSFANS.COM/SG
603 5565 0888