

OCEANAIRE

MODEL: 2OACH1211
1 TON DELUXE PORTABLE HEAT PUMP

TECHNICAL SPECIFICATIONS

COOLING CAPACITY	11,800 BTUH
HEATING CAPACITY	11,000 BTUH
VOLTAGE	115V, 60Hz, 1PH
AMPS	10.4
TOTAL WATTS	1180
IN RUSH AMPS	60
PLUG TYPE	5-15P, LCDI
EER	10.0
COMPRESSOR	ROTARY
COMPRESSOR HP	1
COMPRESSOR LRA	50
EVAP CFM - HIGH	400
EVAP MOTOR HP	1/8
COND CFM	580
COND MOTOR HP	1/8
CONDENSATE TANK (Pump Optional)	5 GALLON
REFRIGERANT CHARGE	18 oz R-410A
HEIGHT	37-3/4 in
WIDTH	20 in
DEPTH	25 in
NET WEIGHT	180 lb



HEATING & COOLING



SPECIFICATIONS SUBJECT TO CHANGE WITHOUT NOTICE

- ⓘ **Cooling Capacity** is total BTUH at 80°DB/67°WB return air 95°F Outdoor at high fan speed
- ⓘ **Heating Capacity** is total BTUH at 70°DB/60°WB indoor, 47°DB/43°WB Outdoor
- ⓘ Dedicated Circuit and Time Delay fuses/circuit breakers are recommended
- ⓘ EER is determined at high fan speed, with condenser discharge air ducted into separate area
- ⓘ CFM with free discharge
- ⓘ Amps & Watts at 115 Volts

COOLING AMBIENT OPERATING RANGE 65° TO 105°

HEATING AMBIENT OPERATING RANGE 40° TO 85°

NOT APPROVED FOR OUTDOOR USE



Cooling and Heating done Right!

OCEANAIRE

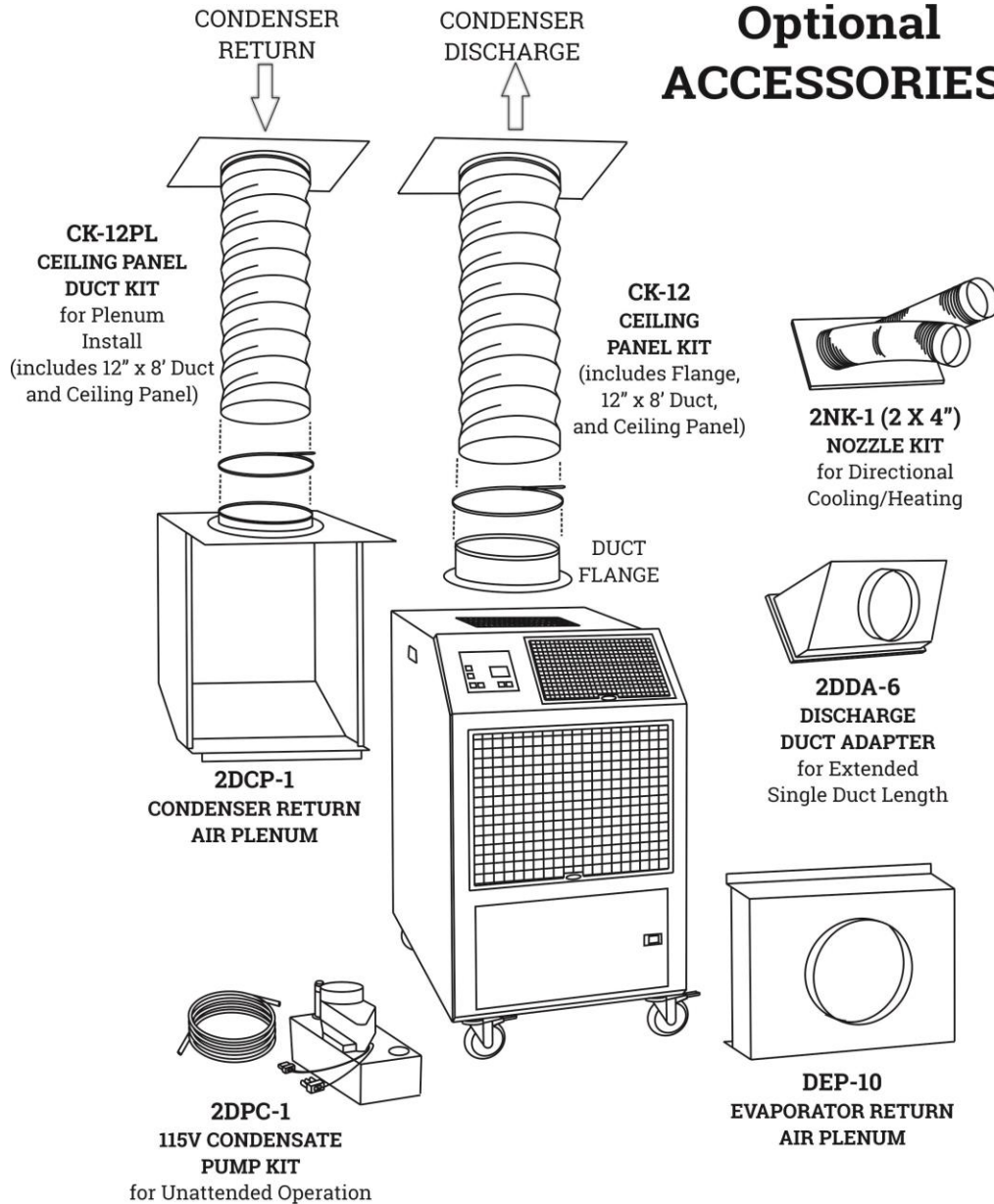
OCEANAIRE-INC.COM
OA-TS-2OACH1211-05012020

PRODUCT FEATURES

- OA SOLID STATE ELECTRONIC CONTROLLER
- OA AUTOMATIC MODE CHANGEOVER
- OA MANUAL OR AUTO 6-SPEED FAN CONTROL
- OA LARGE LED DISPLAY
- OA SWIVEL BALL BEARING CASTERS WITH LOCKING FRONTS
- OA CONDENSATE OVERFLOW ALERT
- OA HIGH PRESSURE SAFETY SWITCH
- OA WASHABLE ELECTROSTATIC AIR FILTERS



Optional ACCESSORIES



Cooling and Heating done Right!

OCEANAIRE